

Ready2Talk

Ready2Talk - PA 5AV Basics of Installation and Set Up Using the Stereo Aux Input Method.

Here is the Rocket Fast info for those who like to just get it done.

Connections

- Connect power and ground
- Connect the male RCA output to the AUX input on the stereo. You might need with the included RCA to 3.5mm adaptor cable
- Connect the RCA audio output from the TV to the female RCA audio input on the PA 5AV
- The single female RCA is only used with the optional PA RME (rear mic extension) cable. If you want to have a second mic port for a step on guide... use the PA RME

Initial set up and testing ... THIS IS IMPORTANT !!! ALWAYS set your mic volume first before doing anything else.

1. Put the stereo into the AUX mode
2. Turn on the microphone switch and start talking and set the volume, make note of the volume number (e.g. 32 out of 60 or volume percentage 50%)
3. Without touching the stereo volume, **turn OFF the mic** and turn on the Video Player that is plugged into the TV
4. IF... there is a volume control on the video player (DVD or iPad), set the volume on the volume to 50%.
5. How's the volume of the video compared to the mic volume that you remember? The same or close? If it's too loud or soft can the volume adjustment on the video player (DVD or iPad) make it so it's perfect? If so then you don't need to do much more.
6. **Turn on the mic** and video sound will drop about 50%.
7. **Turn the mic off again** and the video sound will automatically come back up.
8. Now compare the video volume to your voice. If you are happy with it you are done!

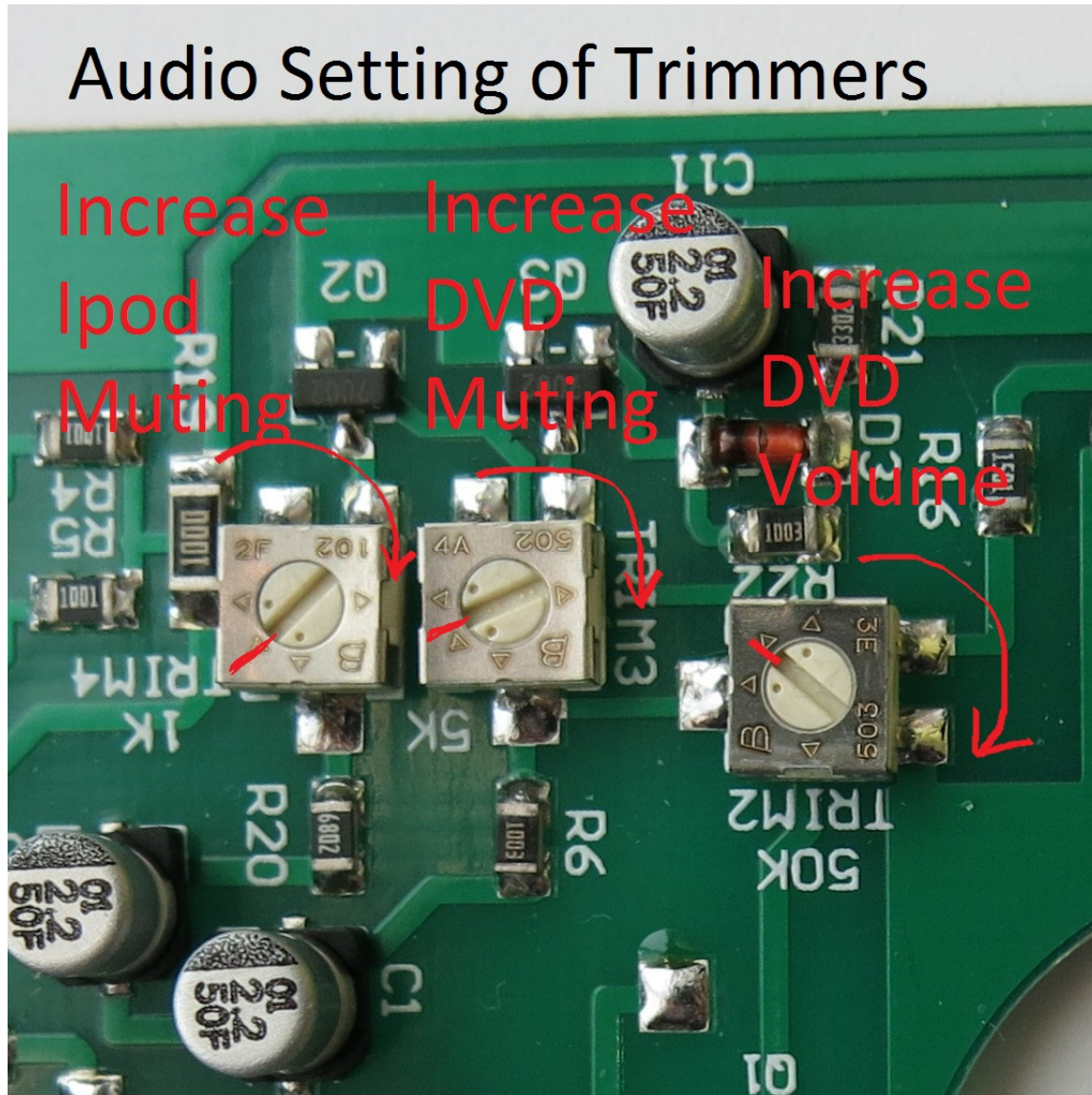
Fine adjustments if required

Remove the 4 screws holding the case together and separate the front from back. On the PC board there are 4 adjustments.

1. Mic Gain - from the factory, **the mic is set at the lowest setting and DO NOT adjusted.** (It's there for very special circumstances).
2. RCA Audio Input for the TV or video player - it has a swing of .5 to 2V and is factory set at mid-point
3. Muting Adjustment for the RCA Audio Input - this is factory set at 50% muting
4. Muting Adjustment for the 3.5mm Front AUX input - factory set at 100% muting

Here is a pic of the adjustment pots on the PC Board

Note: the mic gain adjustment pot is not shown and if held like in this picture the wires would be on your left.



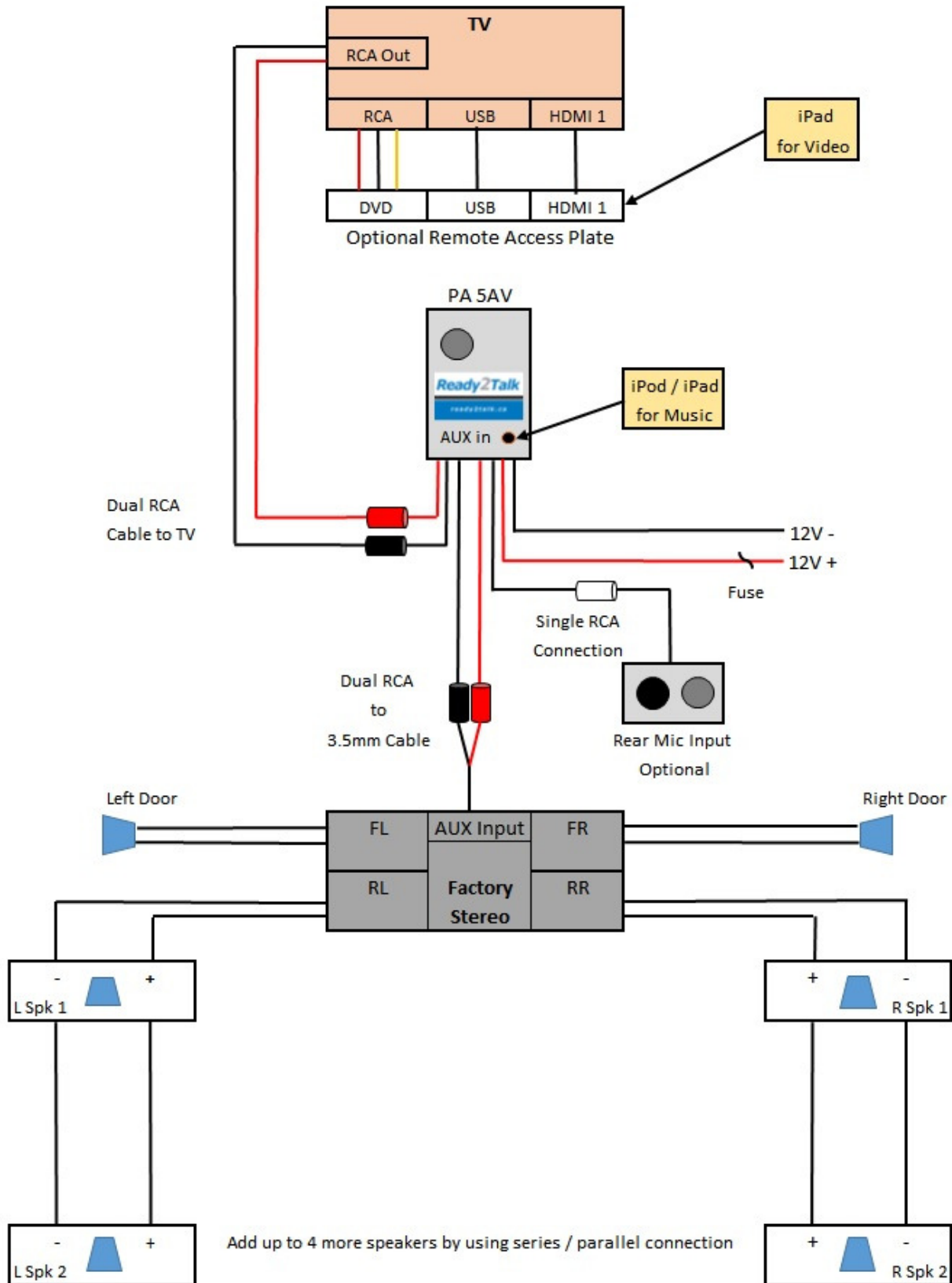
We certainly don't mind answering ANY questions you might have before, during or after the installation. We have a PA 5AV concept video on our home page www.ready2talkpa.com and shortly we will have a video showing these instructions.

Have fun with it and be amazed at the simplicity and sound quality.

If you have ANY questions, please contact us at 1 888 724-5351 or info@ready2talkpa.com

Leave Stereo in AUX mode all the time

Adjust volume of speakers as required

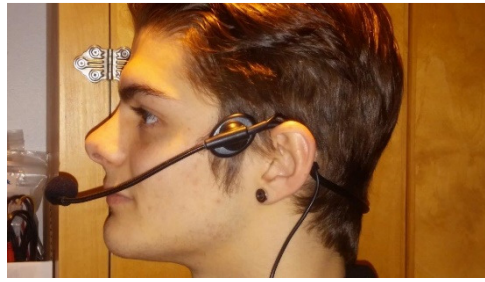
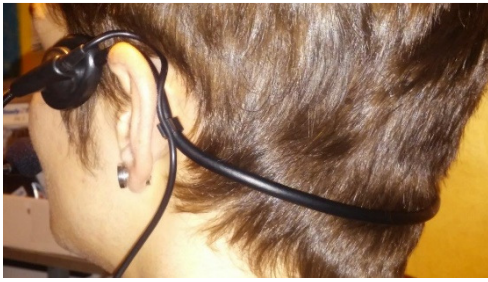


Headset Best Practices

Every once in a while we receive a questions about Ready2Talk headsets, how to wear them and how to best care for them. We hope this answers your questions.

How do I put them on my head?

Here's the trick, the metal headband is designed to go behind your head (not over top) and the curved parts of the headband rest on top of your ears. If it's still too loose or too tight, just bend the width of the metal headband in or out. Don't worry they're tough.



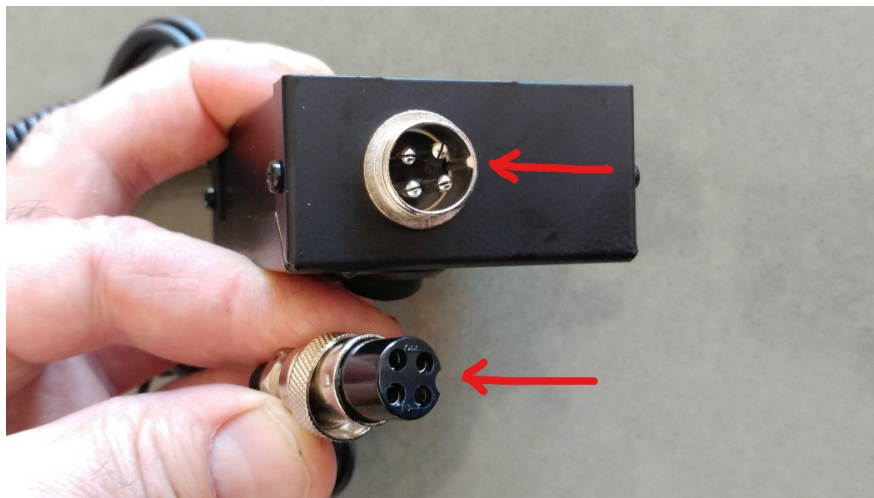
Where do I put the mic foam piece?

First things first... you **MUST** have a foam sock on your headset, if not, it will sound terrible!

Place the mic pick up about 1" (3cm) away from your mouth and talk normally. Then adjust the volume on your stereo to the correct level. If the mic pick up is too far away the stereo will have to be turned up too much and then you might have feedback issues.

IMPORTANT !!!

Please note the bump on the mic socket mates with the corresponding slot on the mic plug to ensure that the 4 pin mic plug is being inserted in the correct position. Failure to do so **WILL cause irreparable damage to the microphone. Do not force it!**



Just follow these steps and you'll be Ready2Talk. If you have any questions or want a digital copy of this for your staff, just drop us a note or give us a call. 1 888 724-5351