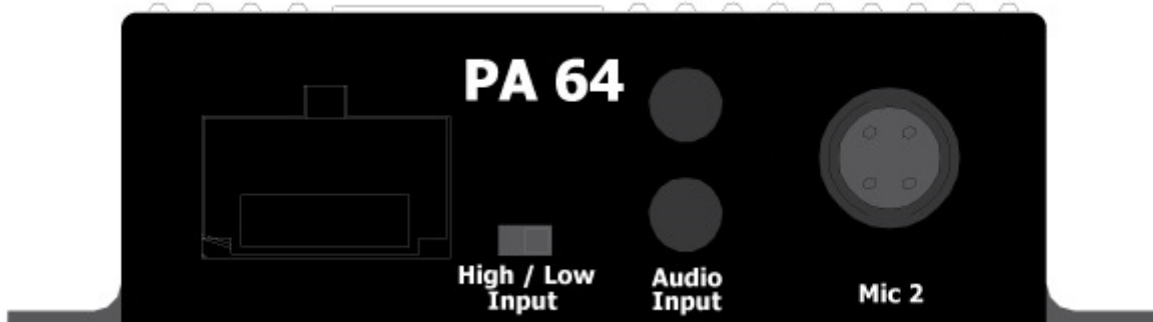
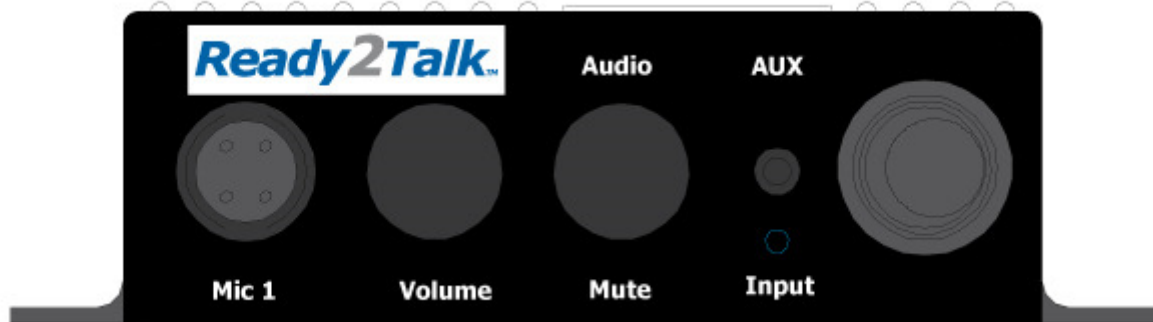


Ready2Talk™

PA 64

Installation & Operation Manual



The PA for ALL applications!

IMPORTANT!

Please read all these key points to ensure the proper connection and designed use of your PA 64. If you have ANY questions, please call 1 888 724-5351 before proceeding!

- Basically, the PA 64 is an amplifier that is connected between the stereo's output and the vehicles speakers!
- DO NOT connect the vehicles speaker wires to the stereo's output as well as the PA 64. Remember point one... the PA 64 goes between the stereo and the speakers!
- The PA 64 is an amplifier and is NOT designed to be used with ANY other amplifiers (e.g. being connected between the stereo and amplifier). If done, the PA 64 will not function and it may damage the PA 64 and / or the additional amplifiers. If you need more amplification than the PA 64 offers, we have other PA options to suit. Please just give us a call.
- The PA 64 is intended to be installed by a professional installer, service mechanic, vehicle dealer or manufacturer. Do not attempt to install this unit without confirming compatibility to your vehicle with the manufacturer or dealer. Failure to do so may cause damage to the PA 64, your vehicles electrical system or void your vehicle warranty.
- Only use with Ready2Talk microphones... use of any others may cause damage.

Now with the important warnings out of the way...

The PA 64 is designed to be the best unit for all applications, offering a real amplifier with 4x50Watts (peak), solid state mic / stereo switching and variable muting for both the rear RCA input and the front 3.5mm AUX input.

It also allows the use of two microphones, hand or headset, wired or wireless; and is the perfect PA system for Sightseeing, Shuttle, Transit, School Bus, Church Busses, Retirement Homes, People Movers, Boats, Trolleys, Snow Cats and Horse Carriages. Did we forget anything? Oh yes... also an easy replacement for older PA systems in Highway Coaches.

Use the PA 64 as a standalone PA system or in conjunction with your factory (OEM) stereo or any aftermarket stereo / DVD player or automated tour system by using the internal High / Low impedance selector. Don't forget you can connect your MP3 player through the front AUX input.

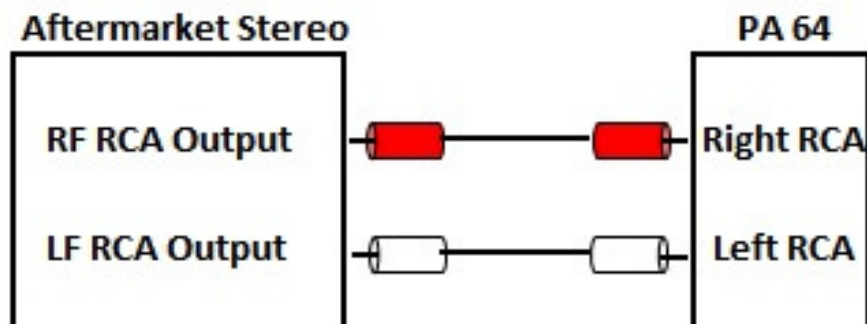
The PA 64 can be mounted on any flat surface vertical or horizontal and includes an optional front decal so the printing will always be the right way around. We try to think of everything.

Want to hide it away? There is an optional RMK (Remote Mounting Kit) and a RME (Rear Mic Extension) for a second mic when using a step on guide.

Easy to connect, easy to use and is better sounding than any other PA you've heard before. Finally, you too can sound like a radio DJ.
*sound effects and annoying side kick not included.

Stereo Connection Options

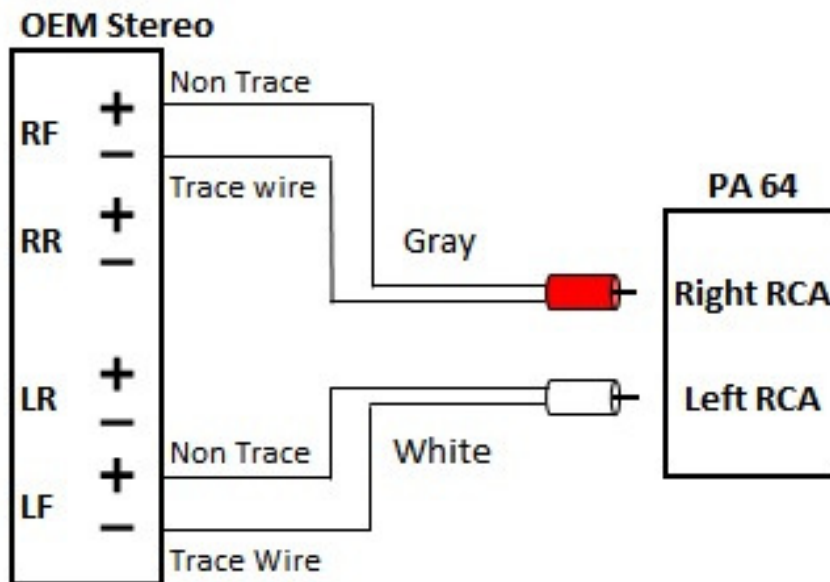
Diagram 1 – Connection to Aftermarket Stereo RCA Output



Note: Set Input Switch on PA 64 to “Low”

Note: When using RCA cables the stereo’s speaker wires are not connected to the PA 64 or the speakers.

Diagram 2 - Connection to OEM Factory Stereo Speaker Wires Use RCA to speaker wire pig tails included in the box.



Note: Set Input Switch on PA 64 to “High”

Note: Rear speaker wires from the stereo are not connected

PA 64 Multi Pin Plug Wiring Code

12V + Battery	Yellow
12V + Switched	Red
12V – Ground	Black

Right Front +	Gray
Right Front -	Gray / Black
Left Front +	White
Left Front -	White / Black
Right Rear +	Purple
Right Rear -	Purple / Black
Left Rear +	Green
Left Rear -	Green / Black

Additional Wiring Info

Yellow 12V + Constant power - 10 Amp fuse in the plug base
Red 12V + Accessory power – Internal automatic re-settable fuse

Note: Never increase the value of the fuse as damage may occur.

Note: The 4 x 50 Watt amplifier inside the PA 64 is designed to accommodate a 4 – 8 Ohm floating speaker load.

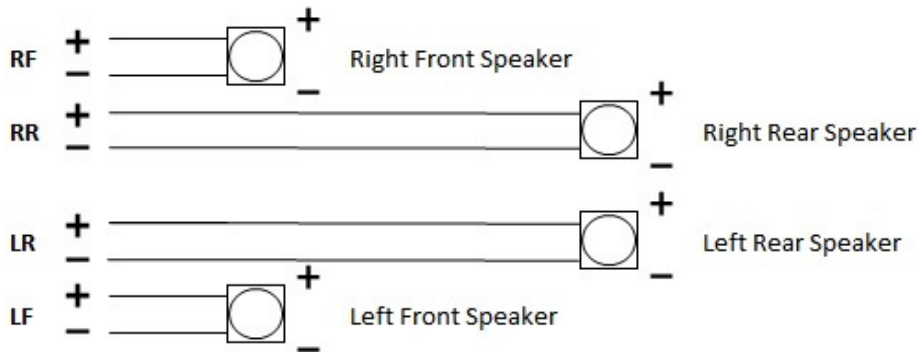
Note: DO NOT EXCEED a 4 – 8 Ohm speaker load! If speaker load is outside intended range, the PA 64 will blow the 10A power fuse after a short time.

Note: The PA 64 amplifier uses a floating output. Please ensure your speakers are not common grounded or connected to the vehicle ground as damage will occur to the PA 64 and repairs / replacement will not be covered by warranty.

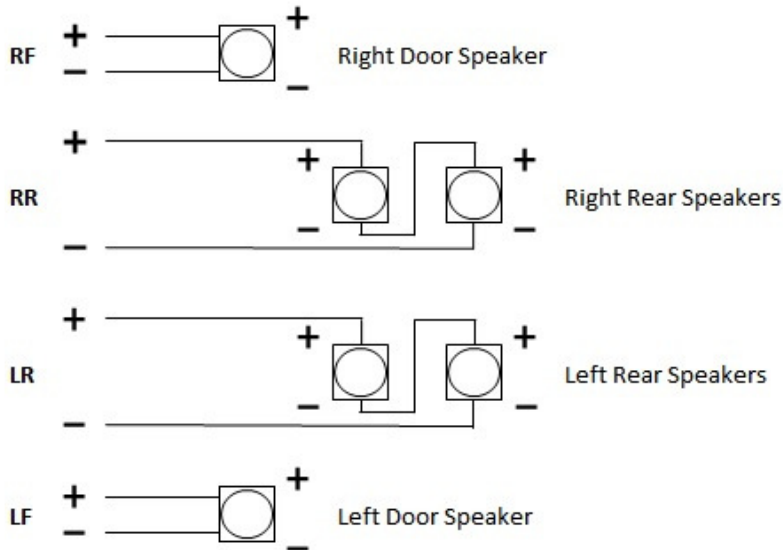
Note: All "Speaker Connection Options" are based on the use of 4 Ohm speakers and these diagrams will offer a load range from 4 – 8 Ohm to the PA 64 amplifier. If in doubt... please call 1 888 724-5351

Speaker Connection Options - Based on 4 Ohm Speakers

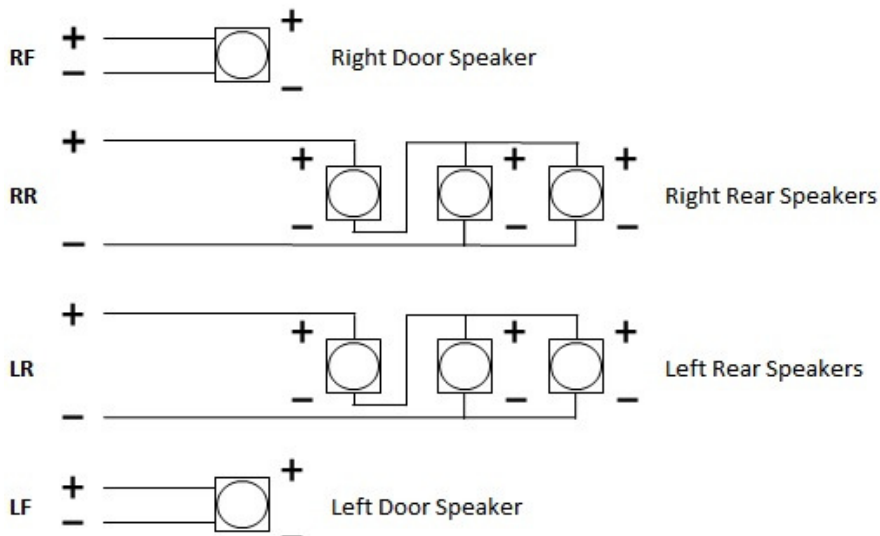
Normal 4 Speaker Option



Cutaway Bus 6 Speaker Option Using Drivers Speakers



Cutaway Bus 8 Speaker Option with Door Speakers



Testing your PA 64

1. Connect your microphone to the "Mic 1" on the front of the PA 64 and / or "Mic 2" on the back.
2. Turn on the vehicle, then the PA 64 power switch (the power light will come on), turn on the microphone and talk in to the mic. Adjust the mic volume with the "Volume" control on the front of the PA 64 to your desired volume.
3. Turn off the mic and turn on the stereo, adjust the radio volume as normal to desired level.
4. Turn the "Audio Mute" control on the front of the PA 64 to half way / 50%. (nothing will happen yet)
5. Turn back on the mic and the radio volume will mute to 50% of what you just set. Turn the mic off and the radio will come back up to full volume automatically.
6. You can adjust the amount of muting by turning the "Audio Mute" control on the front of the PA 64. Full left = no muting, full right = 100% muting.
7. When playing music from your MP3 player through the front "AUX input", the muting will function the same as listed above in point #5.

Note: With the mic switch in the OFF position the front controls on the PA 64 will not function. This is normal.

Note: When connecting your MP3 player into the front "AUX input" the sound will blend together with the stereo. It's recommended to turn off the stereo when using the "AUX input" so they don't compete.

Options - Making the PA 64 "the PA system for ALL applications"

Optional Front Decal Depending on your vehicle, it may be best to mount the PA 64 either vertically or upside down. We have included an additional front label that is reversed which allows the printing to show the correct way.

RMK (Remote Mount Kit) A small flush mounted plate with a 4 pin mic and 3.5mm AUX input socket and cables that connect to the front mic and AUX sockets allowing you to hide your PA 64 for a custom look. Available in two versions RMK (5ft.) & RMK-15 (15ft.)

RME (Rear Mic Extension) A small flush mounted plate with a 4 pin mic socket and 15 ft. cable that connects to the back of the PA 64 and offers a second mic input when you want to have a step on guide.

Hand Microphones

HM BT2 Digital wireless headset that offers over 30 ft. range and 12 hrs. continuous operation between charges, but charges fully in 6 hrs.

PHM 6C Standard Push to Talk hand mic (PTT) with rubber curly cord

HM 2C Durable singers style hand mic with 12 ft. mic cable

Headset Microphones

HS BT2 Digital Wireless Headset that offers over 30 ft. range with 8 hrs. continuous operation between charges, but charges fully in 4 hrs.

HS 30M Lightweight but durable condenser headset microphone with inline On/Off switch with the wire and boom on LEFT side

HS 40M Same as HS 30M except with switch wire and boom on RIGHT side

Gooseneck Microphone

GN 17R 17" Condenser gooseneck mic with a dual function (latching and momentary on) dash mounted rocker switch

GN 17F 17" Condenser gooseneck mic with a durable foot switch

For more information

Find us at

[*www.ready2talkpa.com*](http://www.ready2talkpa.com)

or give us a call at

1 888 724-5351

Double E Products Ltd.

Box 16118 / 1199 Lynn Valley Rd
North Vancouver BC V7J 3S9 Canada
1 888 724-5351