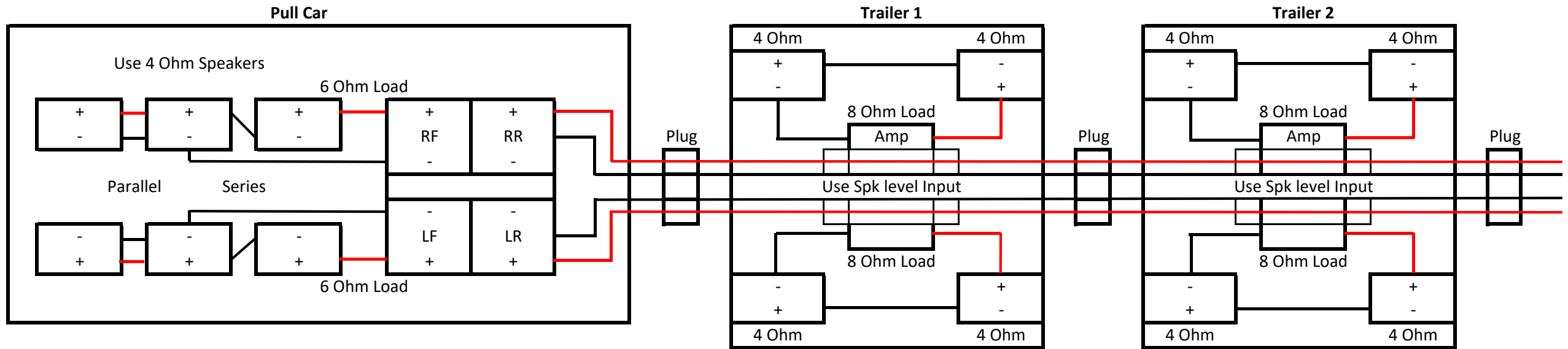


## PA 64 - Tram with 2 or More Trailers



### Issue:

With all multi car PA systems the question has always been... "How to deal with amplifier impedance issues when you attach and detach cars?" In the past, the two ways to work around this common problem is to either, use a 70 Volt PA system, but that is costly and generally runs on 110V AC. The other common option is use an expensive amp that is stable to 1 Ohm but then the volume changes with every car addition or removal.

### Solution:

The Ready2Talk PA 64 has a standard 4 ch. output, use the 2 front channels to power the speakers in the Pull Car and then run the 2 rear channels through standard 4 pin trailer plugs into and out of each trailer. Because all trailers also have 12V... just install a low power 12V - 2 channel amp with high level (speaker level) inputs in each trailer to power the speakers. Connect the rear channel speaker outputs from the PA 64 to the high level input on the amplifier in each trailer. Because amps with high level input have an internal transformer... basically you have a stable / inexpensive 12V version similar to a 70V PA system. You can now add or subtract cars with very little or no sound level change and the sound level of each car can be adjusted individually.

### Options:

Now that you have installed a Ready2Talk PA 64, you can use 1 or 2 mics, wired or wireless, hand mic or headset. Our Wireless mics will offer over 30 ft. of operational range and you can use two mics simultaneously with no loss of sound volume or quality. One in the front for the driver and one at the back for the conductor or step on guide!