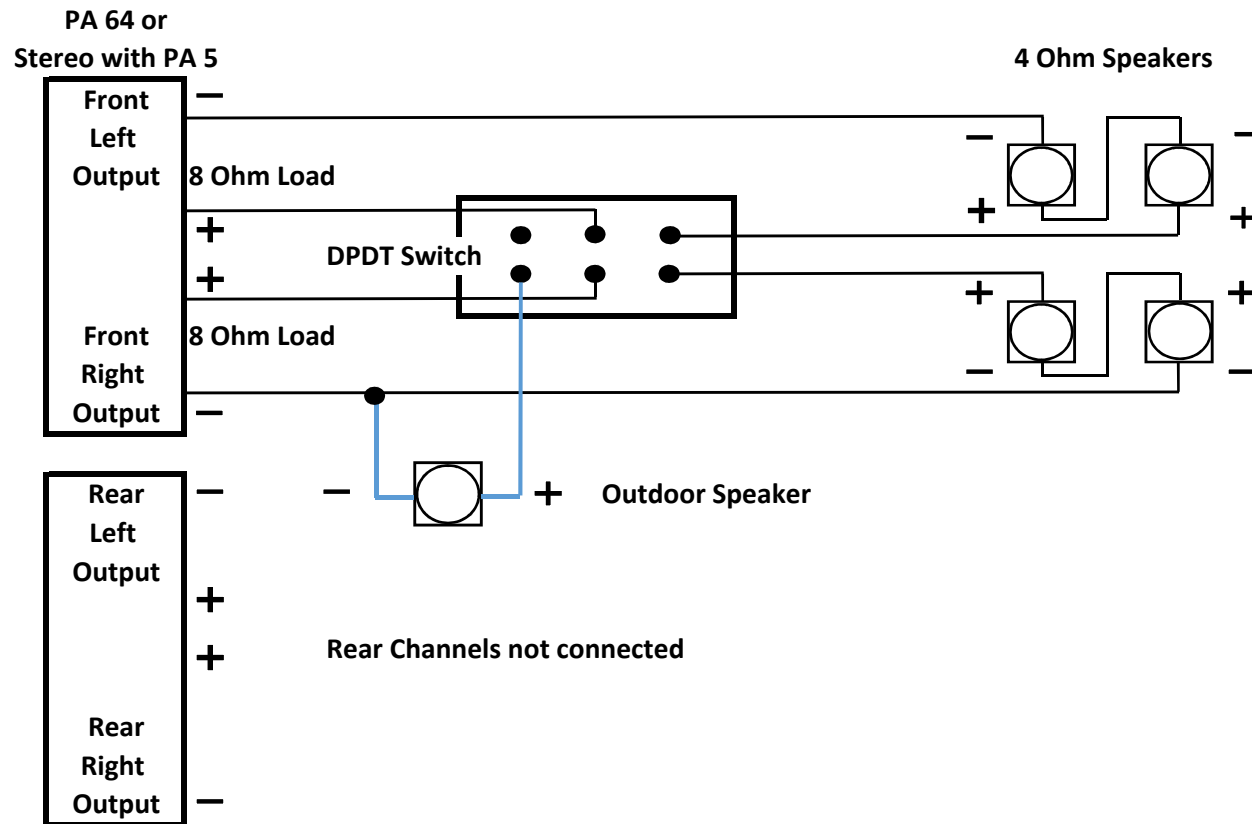


ADA Single Outdoor Speaker using DPDT Switch

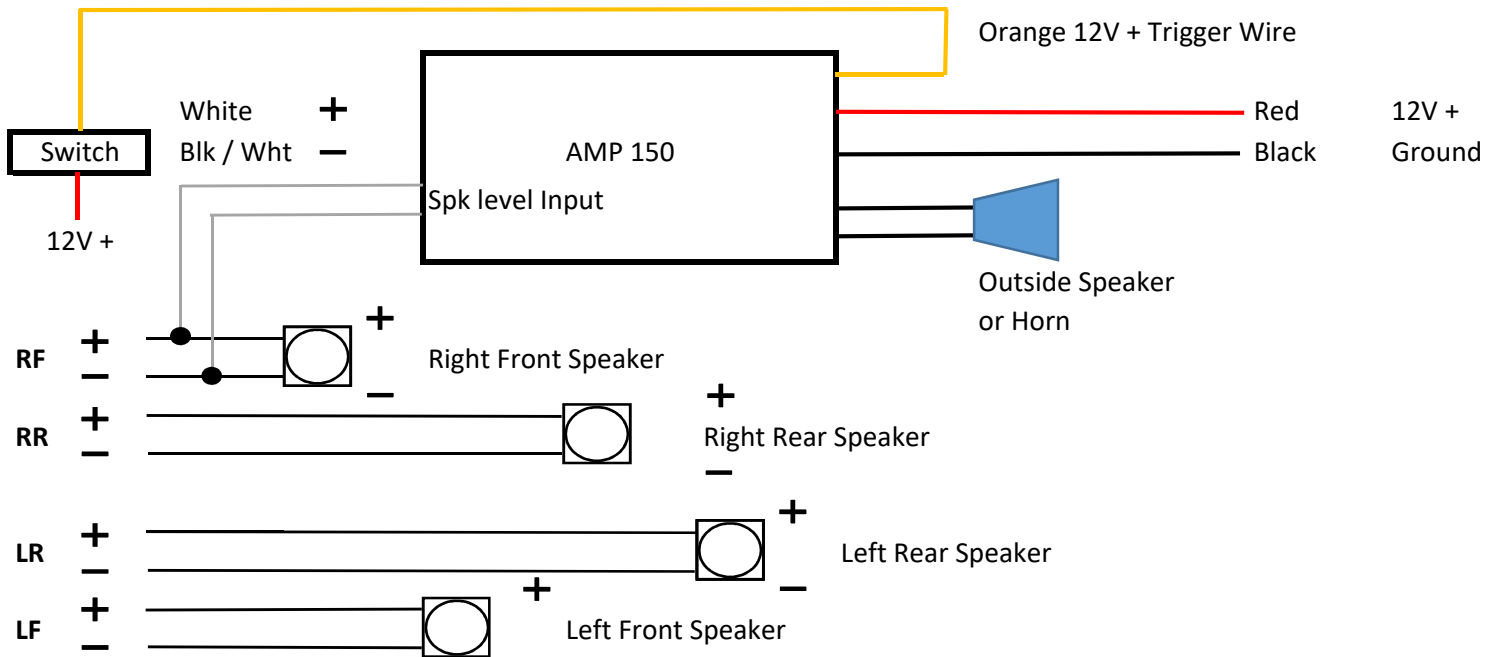
This version will cut off inside speakers when the outside is in use



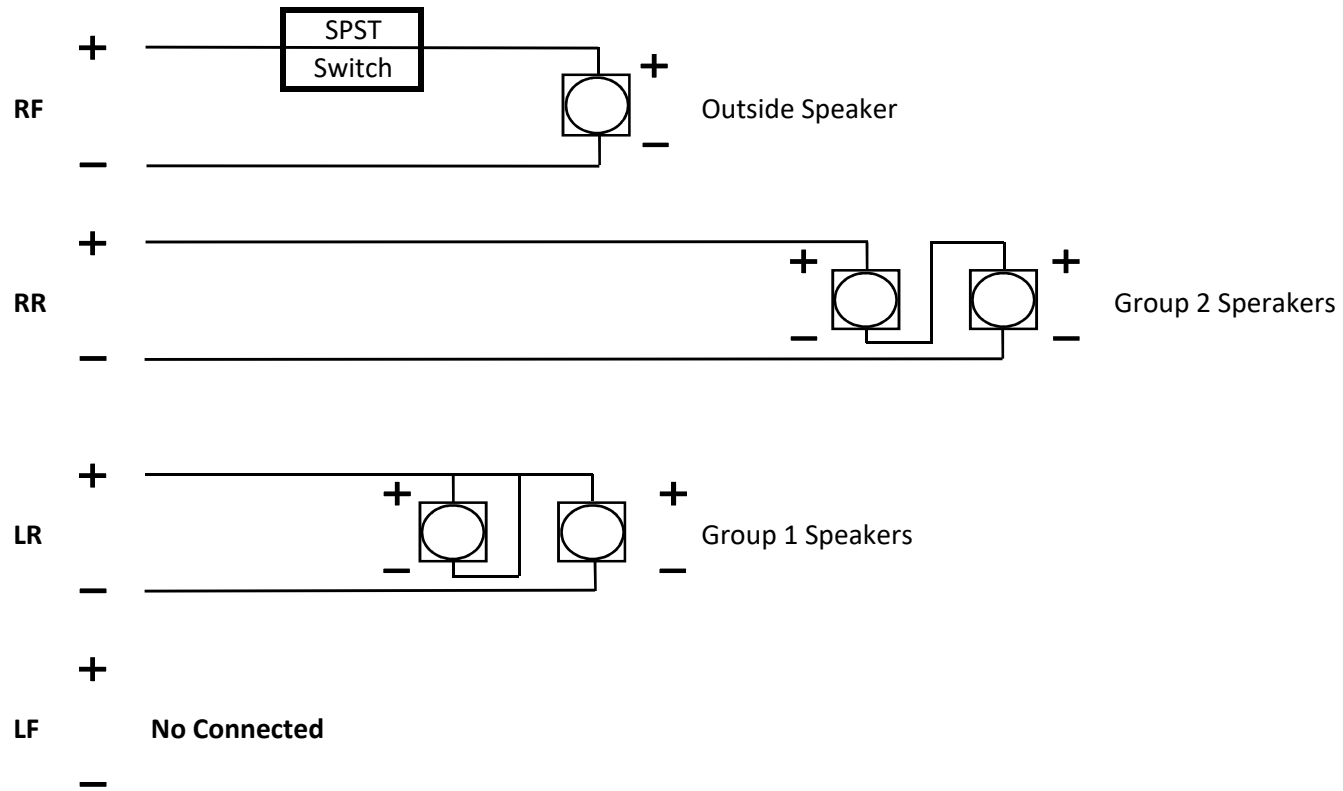
These versions will not cut off inside speakers

Normal Wiring / 4 Speakers Using External Amp

This Option allows to adjust the volume level of the outside speaker and use all 4 Ch. of the PA 64. and will be the loudest outside



2 Channel / 4 Speakers on Trolley - 1 Channel to Outside Speaker



3 Channel / 6 Speakers on Trolley - 1 Channel to Outside Speaker

