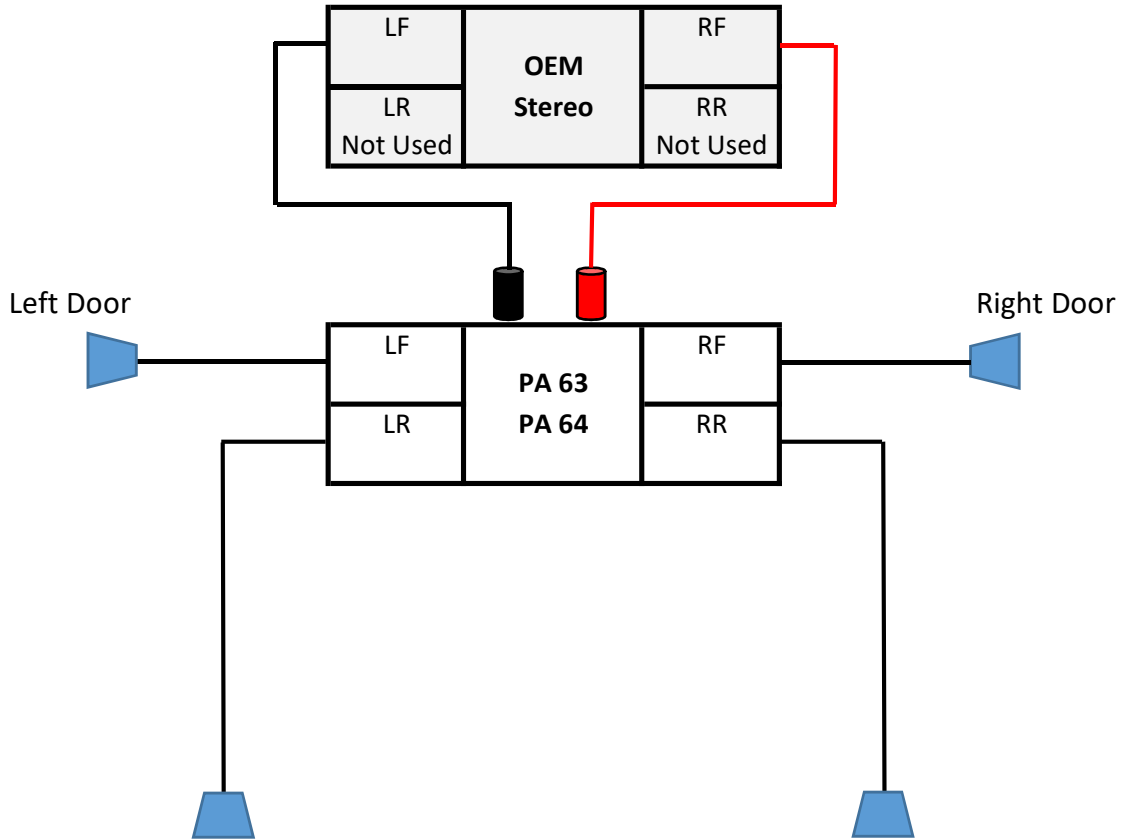


# Ready2Talk

## Option 1 - PA 63 / PA 64 to OEM Stereo Connection

**Recommended when using an OEM Stereo**



### NOTE:

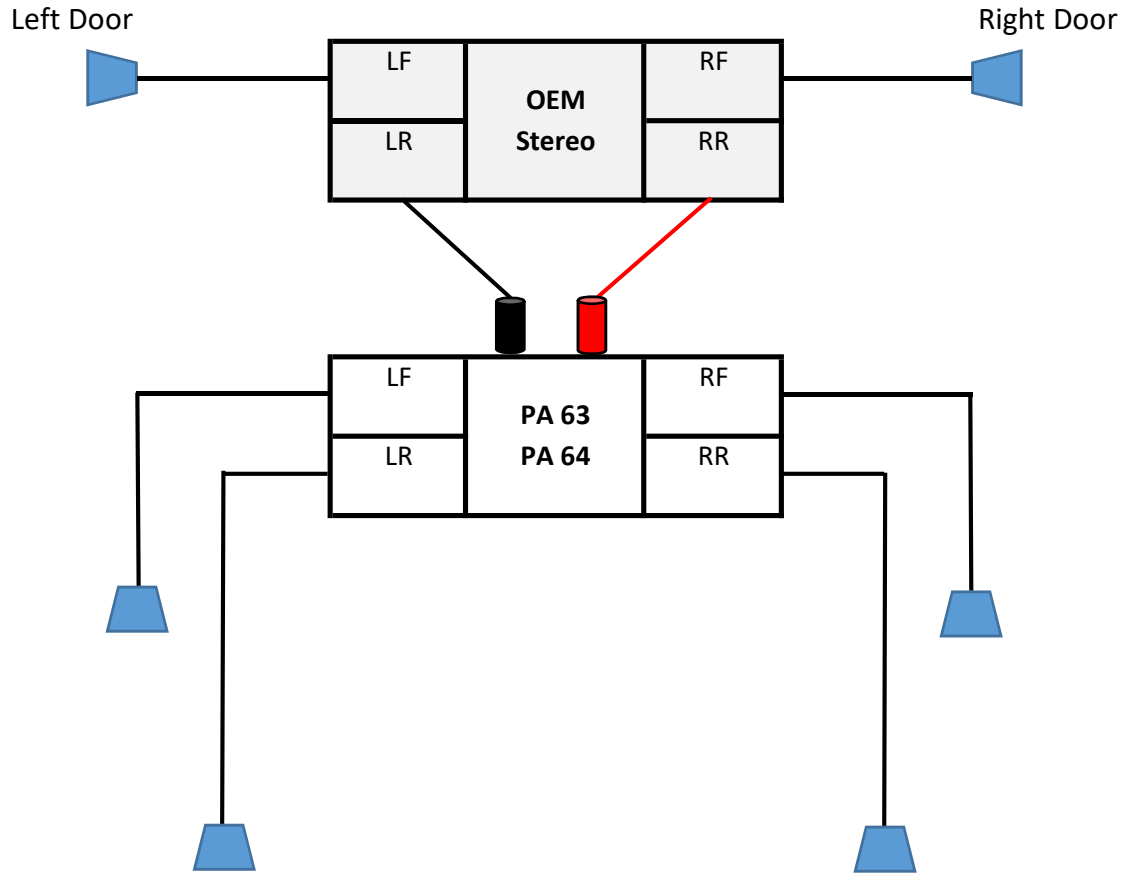
- Use included RCA to speaker wire pigtail plugs to connect the stereo output to the PA 63 / PA 64
- Set Input Switch on PA 63 / PA 64 to "**HIGH**"
- No Speakers are connected to the stereo, all speakers are connected to the PA 63 / PA 64
- When connecting more than 4 speakers, please see wiring diagrams in the PA 63 / PA 64 owners manual
- **Speaker impedance must not be lower than 4 Ohms!**

### How Things Will Work:

- With this configuration ALL the sound is through the PA 63 / PA 64 and will play everything to all speakers
- The power switch **MUST** be ON for any sound to play from the stereo
- If this causes confusion, install the included power switch jumper on the PCB then the PA 64 will only turn on/off with the vehicles key
- The front speaker volume can be reduced vs rear speakers by the adjustment pots on the PCB
- Since the PA 63 / PA 64 is connected to the front channels, the fader control on the stereo must be set to the front or center position

# Ready2Talk

## Option 2 - PA 63 / PA 64 to OEM Stereo Connection



### NOTE:

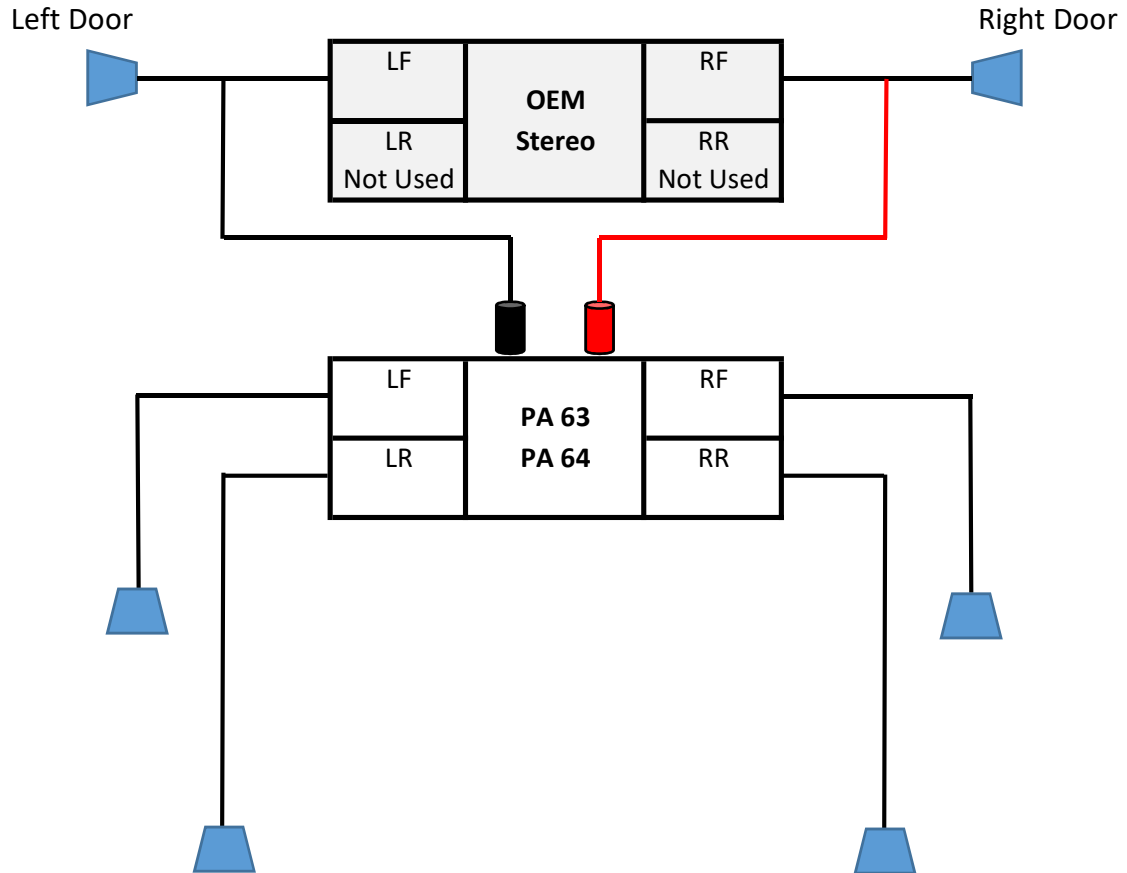
- Use included RCA to speaker wire pigtails plugs to connect the stereo output to the PA 63 / PA 64
- Set Input Switch on PA 63 / PA 64 to "**HIGH**"
- All the speakers intended for the PA use are connected to the PA 63 / PA 64
- When connecting more that 4 speakers, please see wiring diagrams in the PA 63/ PA 64 owners manual
- **Speaker impedance must not be lower than 4 Ohms!**

### How Things Will Work:

- With this configuration, the driver COULD listen to music separately when the rear guide could be talking on the microphone
- The power switch MUST be ON for any sound to play from the rear speakers
- If this causes confusion, install the included power switch jumper on the PCB then the PA 64 will only turn on/off with the vehicles key
- The front speakers will only play the stereo NOT the PA
- The PA WILL and the stereo COULD be heard through the rear speakers, set the fader to the center
- When feeding the PA 63 / PA 64 music, turning on the microphone will mute the music to the rear speakers but WILL NOT mute the music to the front speakers

# Ready2Talk

## Option 3 - PA 63 / PA 64 to OEM Stereo Connection



### NOTE:

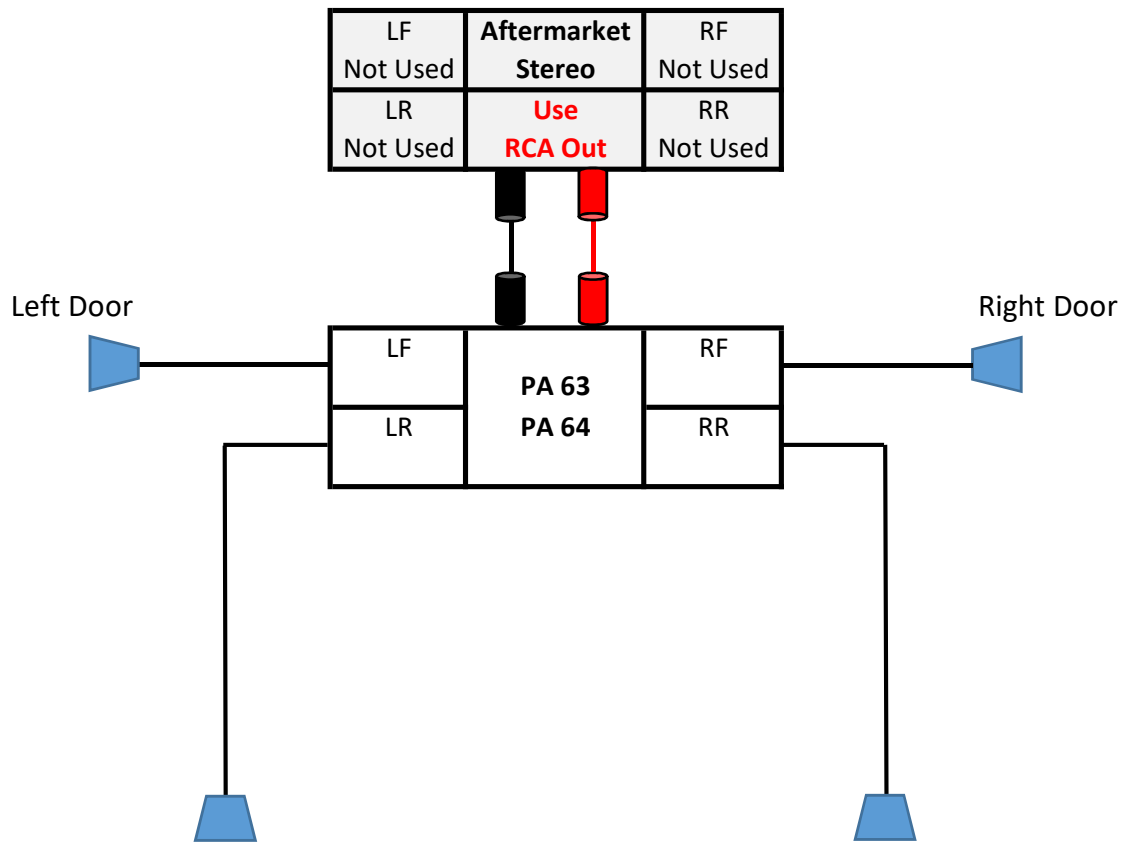
- Use included RCA to speaker wire pigtail plugs to connect the stereo output to the PA 63 / PA 64
- Set Input Switch on PA 64 to "HIGH"
- All the speakers intended for the PA use are connected to the PA 63/ PA 64
- When connecting more that 4 speakers, please see wiring diagrams in the PA 63 / PA 64 owners manual
- **Speaker impedance must not be lower than 4 Ohms!**

### How Things Will Work:

- With this configuration, if the stereo is playing through the front speakers music WILL always be playing to the PA 63 / PA 64 and the rear speakers
- The power switch MUST be ON for any sound to play from the rear speakers
- If this causes confusion, install the included power switch jumper on the PCB then the PA 64 will only turn on/off with the vehicles key
- The front speakers will only play the stereo NOT the PA
- The PA and the stereo WILL be heard through the rear speakers
- When feeding the PA 63 / PA 64 music, turning on the microphone will mute the music to the rear speakers but WILL NOT mute the music to the front speakers

# Ready2Talk

## Option 4 - PA 63 / PA 64 to Aftermarket Stereo Connection



### NOTE:

- Use RCA cables to connect to stereo to PA 63 / PA 64
- Set Input Switch on PA 63/ PA 64 to "**LOW**"
- No Speakers are connected to the stereo, all speakers are connected to the PA 63 / PA 64
- When connecting more that 4 speakers, please see wiring diagrams in the PA 63 / PA 64 owners manual
- **Speaker impedance must not be lower than 4 Ohms!**

### How Things Will Work:

- With this configuration ALL the sound is through the PA 63 / PA 64 and will play everything to all speakers
- The power switch **MUST** be ON for any sound to play from the stereo
- If this causes confusion, install the included power switch jumper on the PCB then the PA 64 will only turn on/off with the vehicles key
- The front speaker volume can be reduced vs rear speakers by the adjustment pots on the PCB
- Since the PA 63 /PA 64 is connected to the RCA front channels, the fader control on the stereo must be set to the front or center position