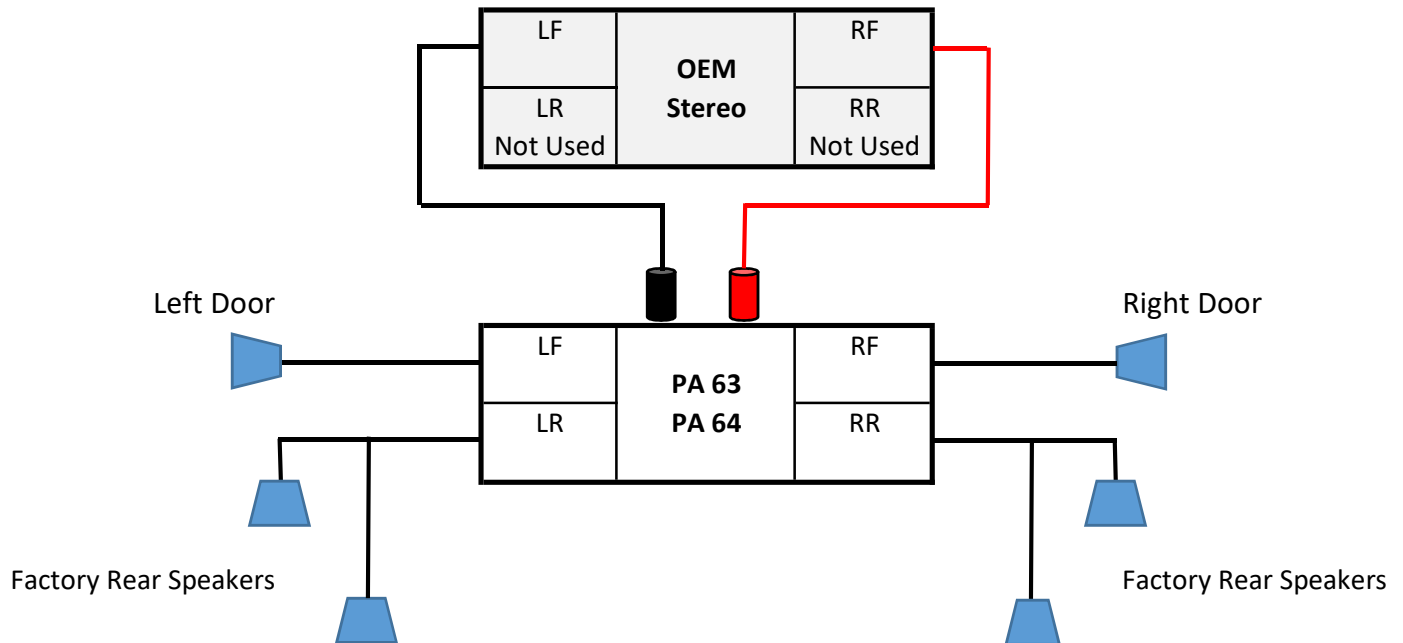


PA 63 - PA 64 to OEM Stereo Connection



Instructions

- Disconnect the main plug containing the speaker connections from the radio module
- Cut the speaker wires for all 4 channels and connect to PA 63 - PA 64 Plugs / **See Below For Color Codes**
- Cap off the rear output wires from the radio / they are not used
- Set Input Switch on PA 63 - PA 64 to **"HIGH"**
- Connect PA 63 - PA 64 Yellow power wire to a constant 12V source / Direct to Battery
- Connect PA 63 - PA 64 Red power wire to the cigarette power socket + / this is controlled by the Canbus

	OEM Stereo	PA 63 - PA 64 RCA Pig Tails		Van Speaker Wires	PA 63 - PA 64 Output
LF +	White	White	LF +	White	White
LF -	White/Brown	White/Black	LF -	White/Brown	White/Black
RF +	White/Violet	Gray	RF +	White/Violet	Gray
RF -	White/Orange	Gray/Black	RF -	White/Orange	Gray/Black
LR +	White/Green	Cap Off	LR +	White/Green	Green
LR -	Brown/Yellow	Cap Off	LR -	Brown/Yellow	Green/Black
RR +	Brown/White	Cap Off	RR +	Brown/White	Purple
RR -	Brown/Blue	Cap Off	RR -	Brown/Blue	Purple/Black

12V Acc Brown / Yellow at Heater Controls

12V Constant Connect to + wire on Lighter Socket

OR join both Yellow and Red power wires on the PA 64 together and connect to the + wire on Lighter Socket because the lighter socket is tied to the Canbus, it will power down after 15 min. after shutting off vehicle.

How Things Will Work:

- With this configuration ALL the sound is through the PA and will play everything to all speakers
- The power switch **MUST** be ON for any sound to play from the stereo
- If this causes confusion, install the included power switch jumper on the PCB then the PA will only turn on/off with the vehicles key
- The front speaker volume can be reduced vs rear speakers by the adjustment pots on the PCB
- Since the PA is connected to the front channels, the fader control on the stereo must be set to set to the front or center position